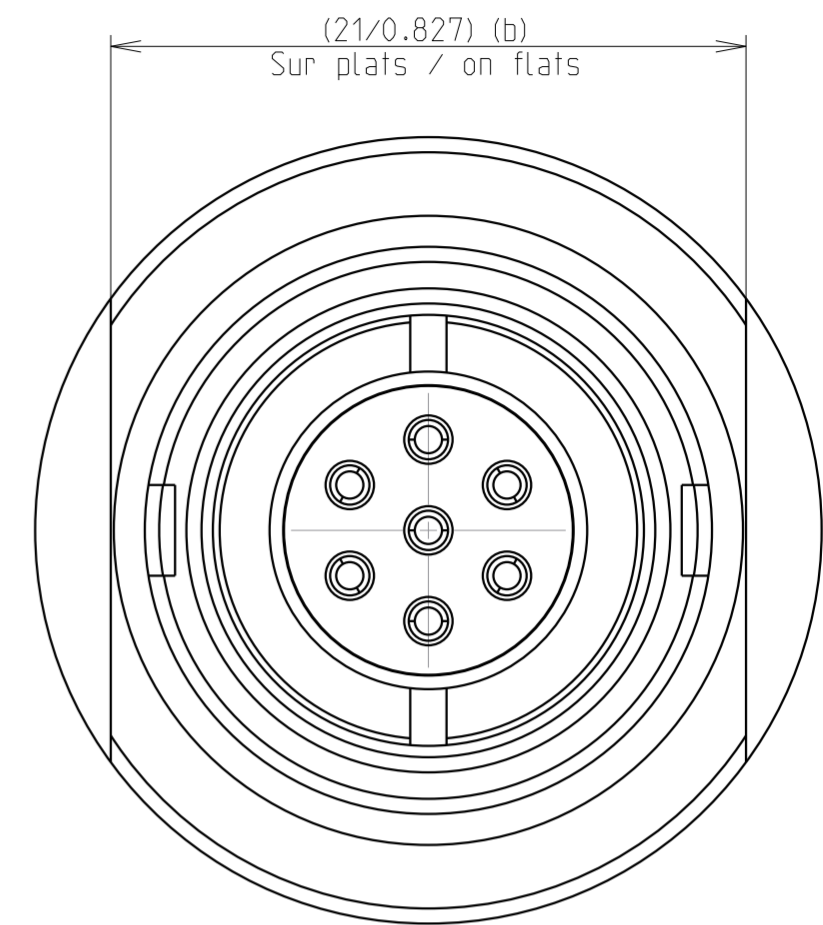
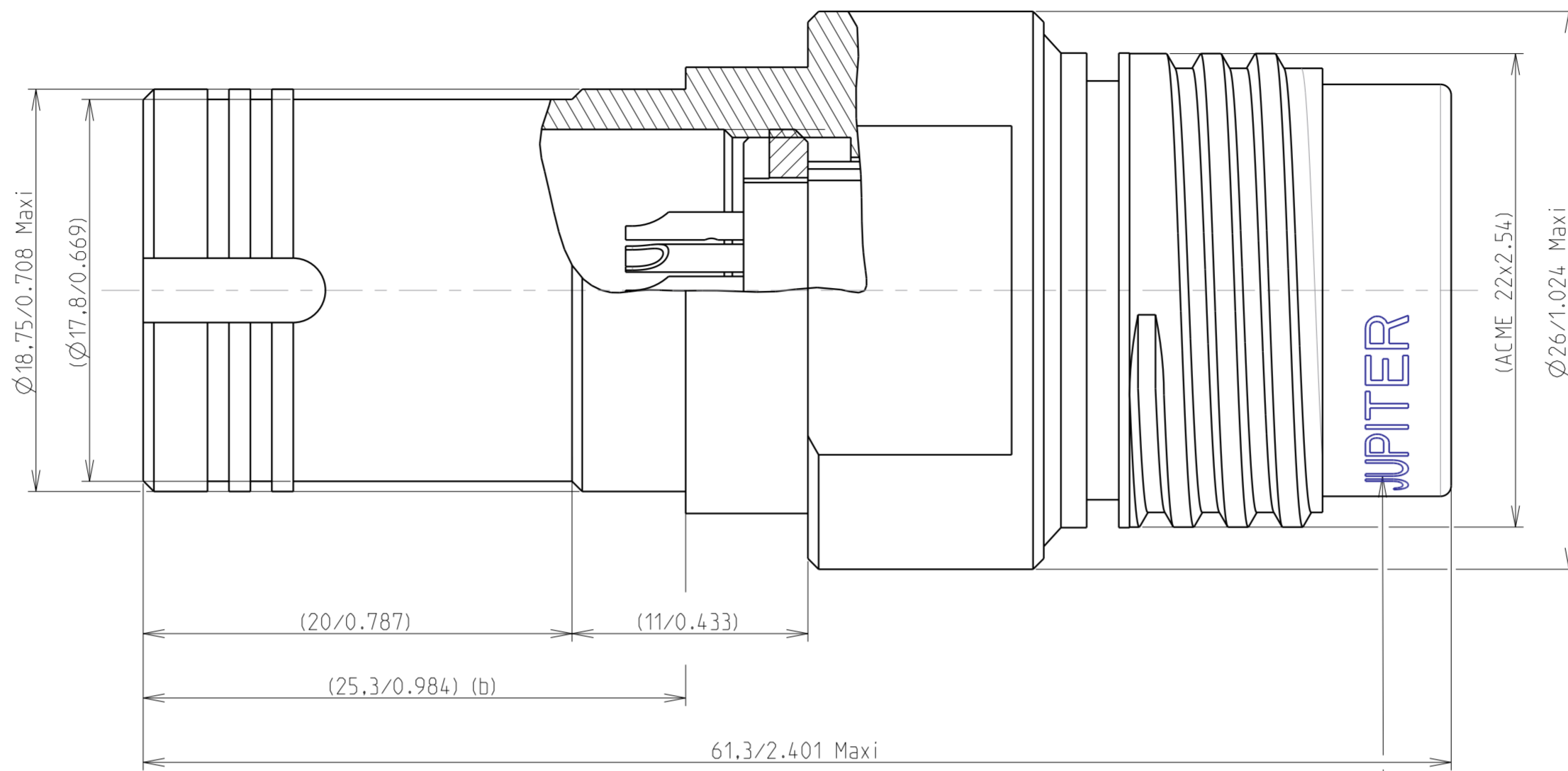
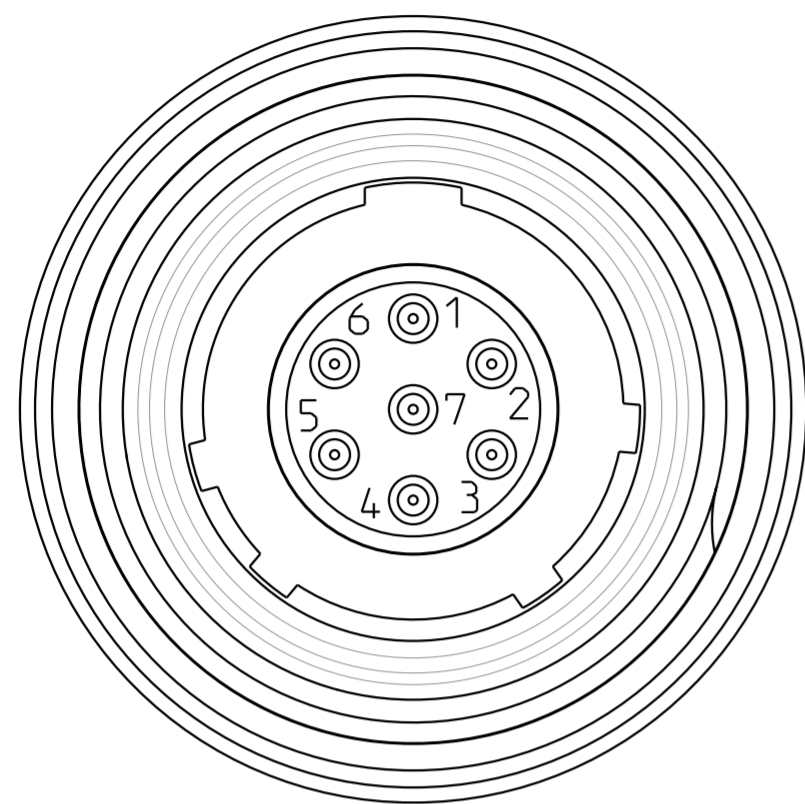


Country	Jurisdiction & Control List
FR	NOT LISTED

	critical dimension
	major dimension



**MARQUAGE/MARKING**

\*\*\*\* JUPITER FR PCE10PLY  
 SEMAINE/WEEK  
 ANNEE/YEAR

Nota :  
 Isolant emballé non monté

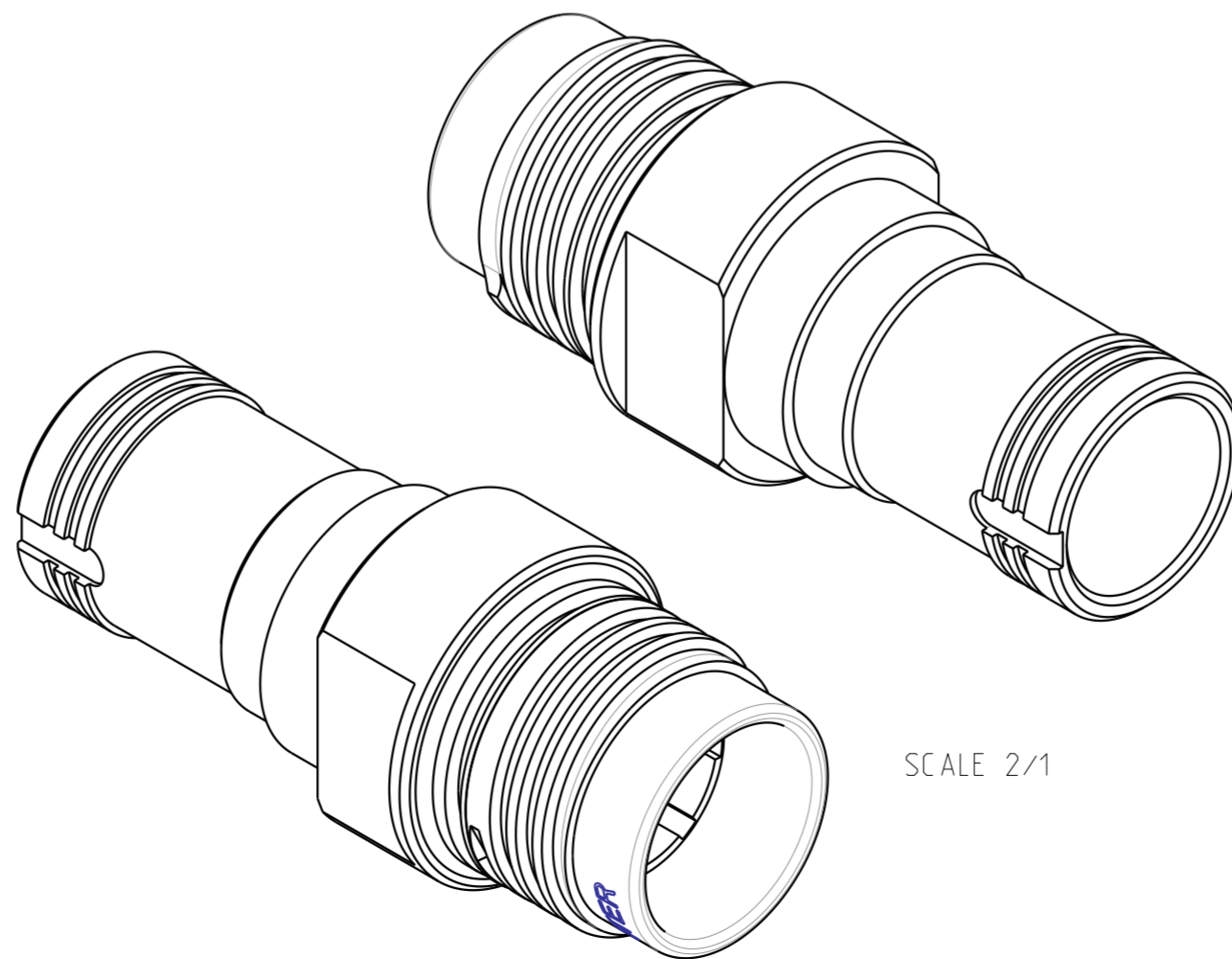
**REFERENCE COMMERCIALE  
 PART NUMBER**

PCEM10PLN0720SAY

TYPE DE CONTACT/CONTACT TYPE  
 M:MALE/PIN F:FEMELLE/SOCKET

MATIERE DE L'ISOLANT/INSERT MATERIAL  
 N:PA6/6+MOS2(NYLATRON) T:PTFE(TEFLON)

ARRANGEMENT DES CONTACTS/CONTACT LAYOUTS  
 VOIR ST1-PL54-0001/SEE ST1-PL54-0001



B	23/04/18	Modification of flats + add of retaining	S.Yakoubi	MEFFRE	DIFF
A	28/02/18	Initial drawing	S.Yakoubi	MEFFRE	DIFF
Iss	Date	MODIFICATIONS	A C Naf.	Designed by	Checked by
MATERIAL --			TREATMENT	PROTECTION/PLATING	
--			--	--	
--			--	CODE	--
DIMENSIONS ARE DEFINED BEFORE PLATING					
TITLE	PROLONGATEUR PCE SAY/ IN-LINE RECEPTACLE SAY TYPE				PROJECT
	SERIE PL - TAILLE 10				PL54
Material Reference Voir Référence Commerciale / See Part Number					
		Generales tolerances ISO 2768	<b>SOURIAU</b>		
Scale 4/1	General machining Surface texture		3. RUE DU VALLON ZAC N°2 94440 MAROLLES-EN-BRIE (FRANCE) TEL. 33 (0)1 45 10 78 00		
Geometrical Tolerances: NF EN ISO 1101		FORMAT	SOURIAU DRG N°	Iss	SHEET
This document is the property of SOURIAU it must not be reproduced or communicated without permission.		A2	<b>542P0030A9C</b>	<b>B</b>	1/1